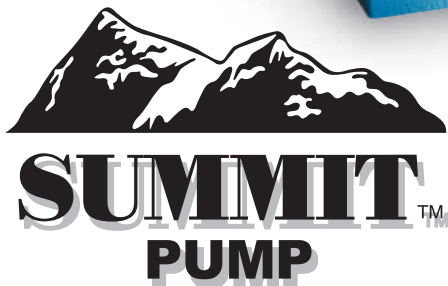
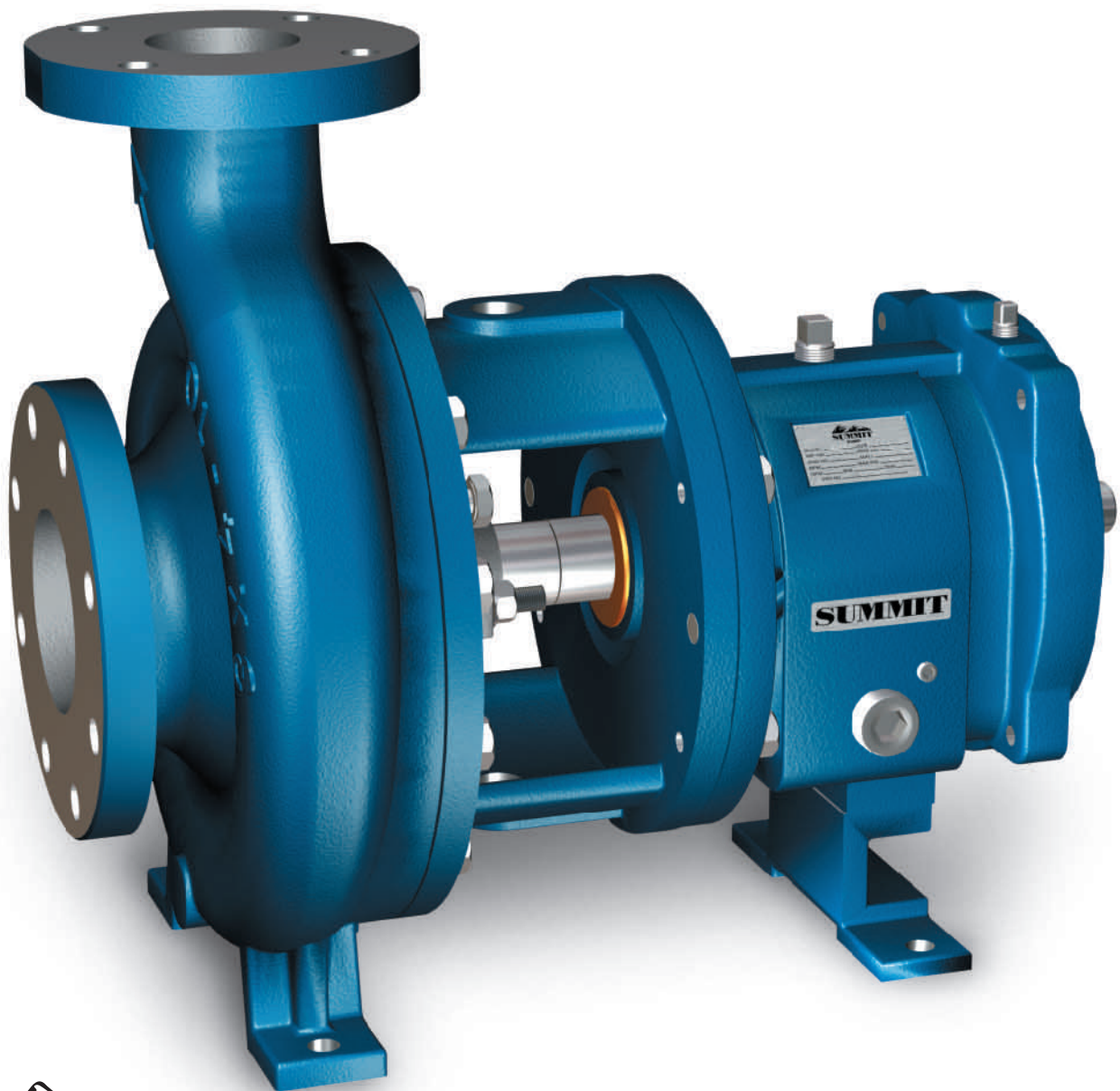


SUMMIT™

ANSI Dimension Model 2196



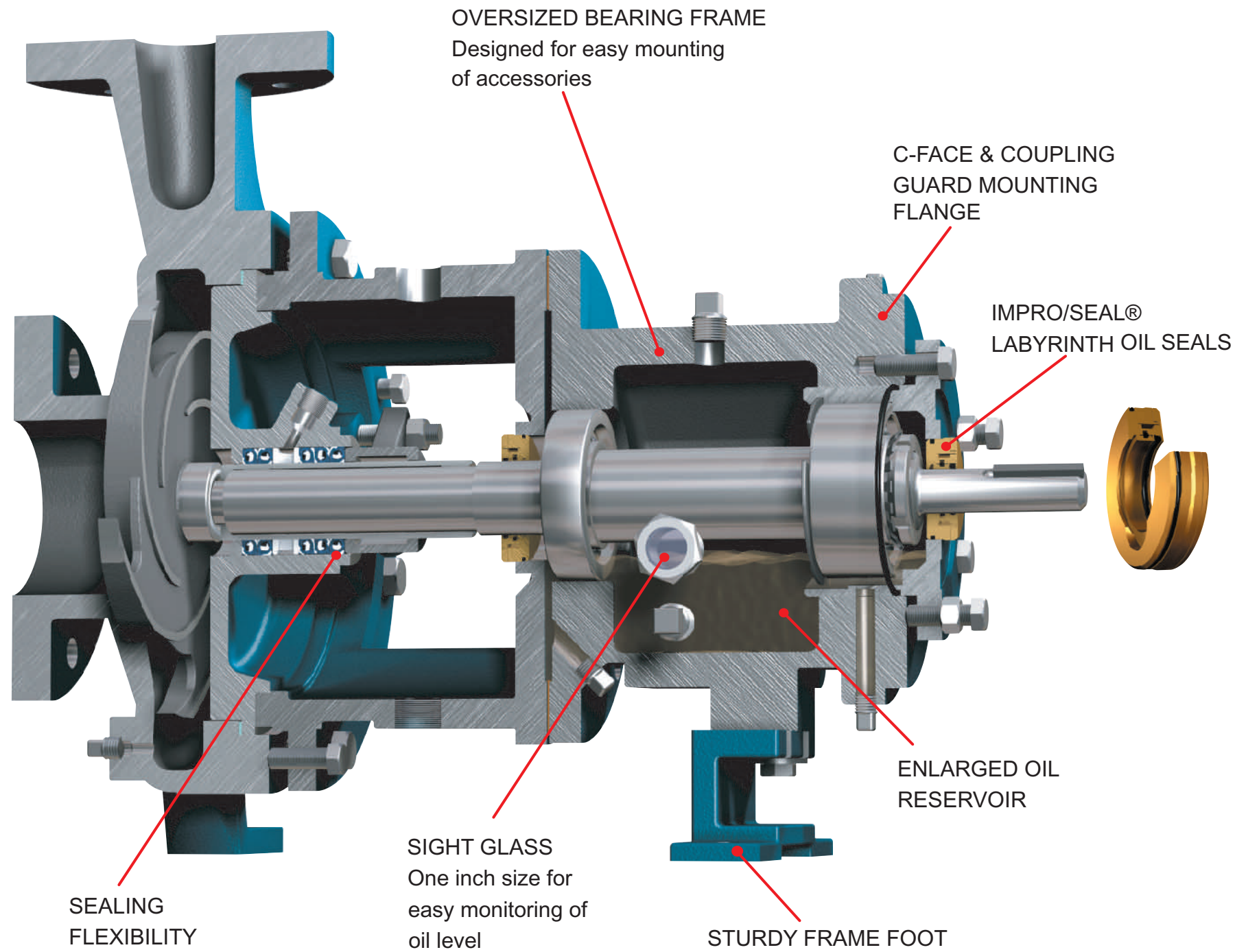
DISTRIBUTED BY



P: +618 9302 8444
F: +618 9302 4544

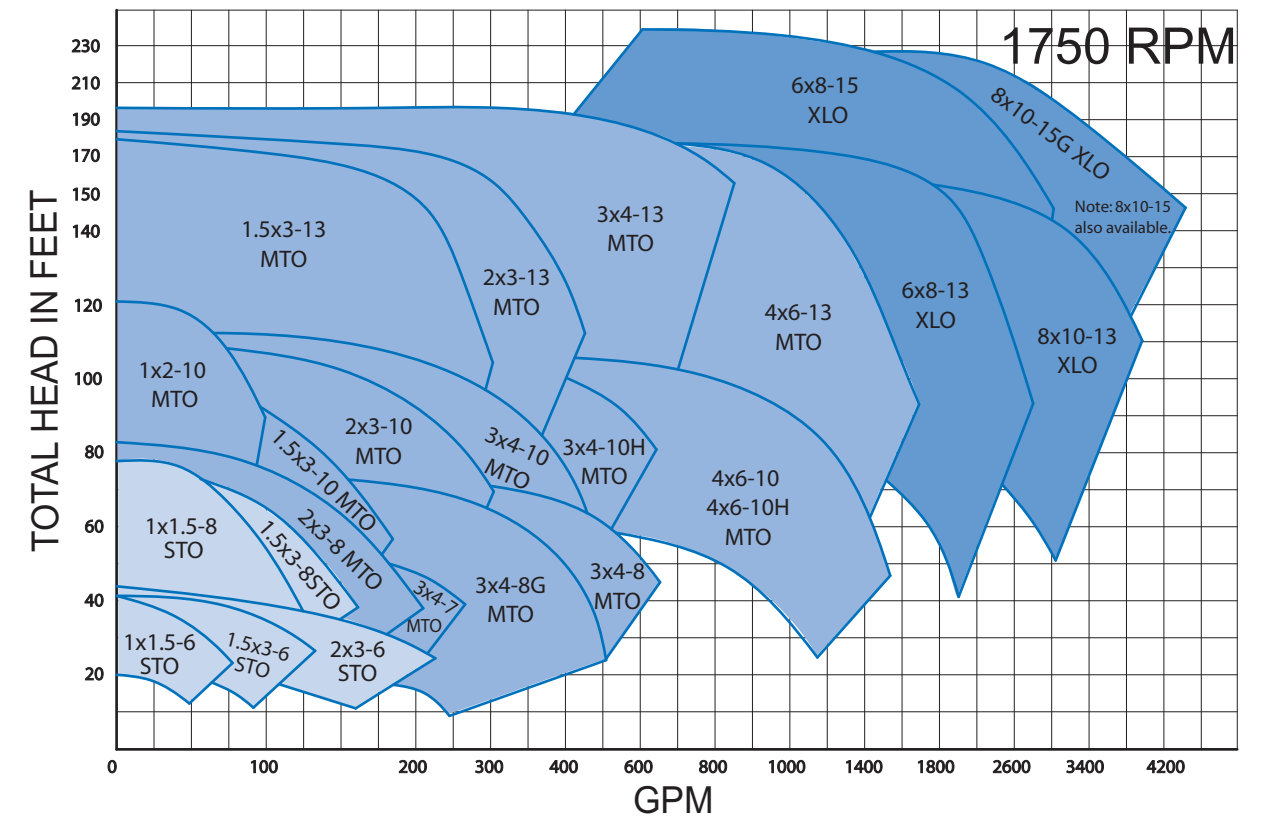
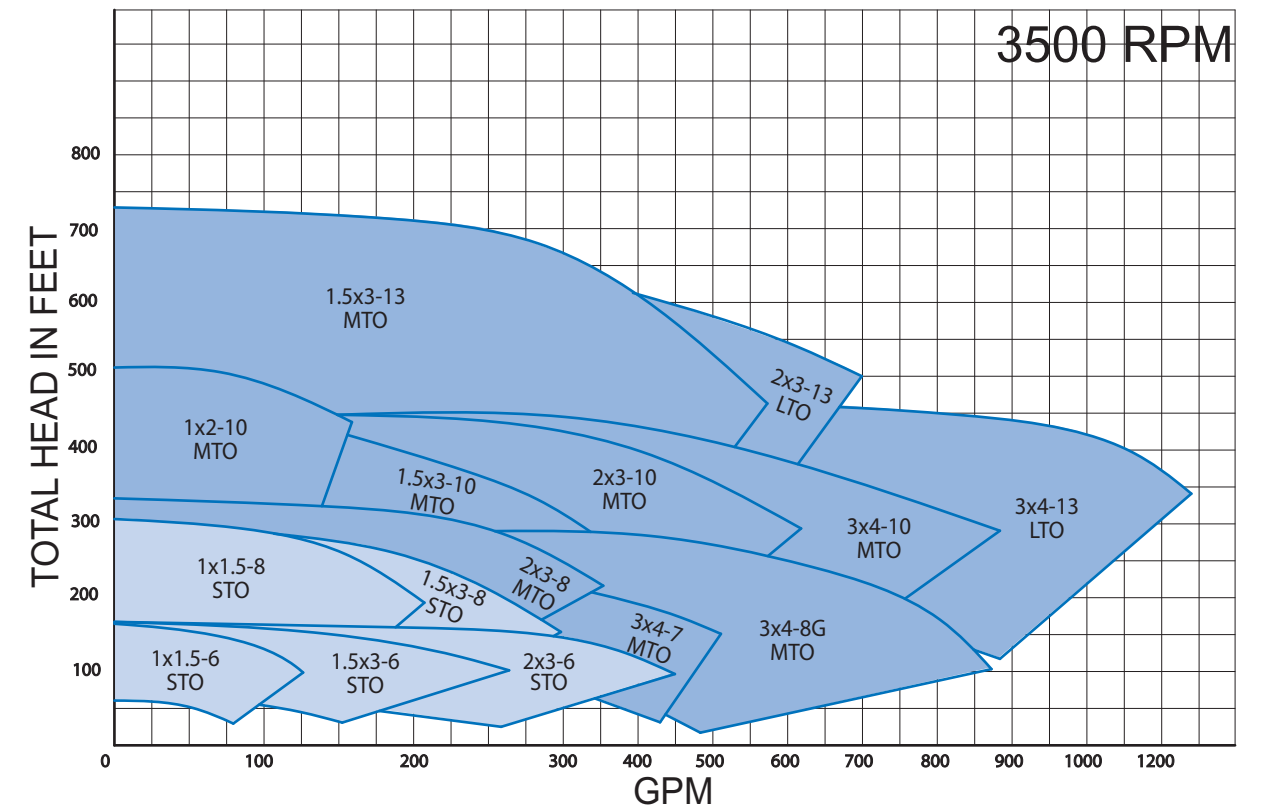
W: www.pumpnseal.com
E: sales@pumpnseal.com

ANSI Dimension Model 2196



OPTIONAL: FINNED-TUBE OIL COOLER Can be installed in field

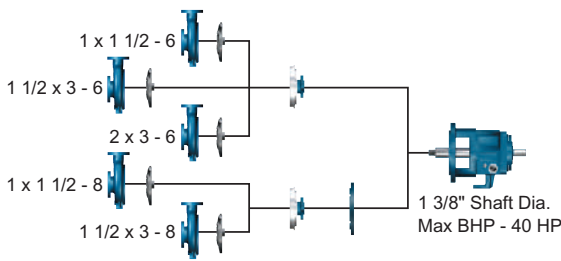
Performance / Sizing Charts



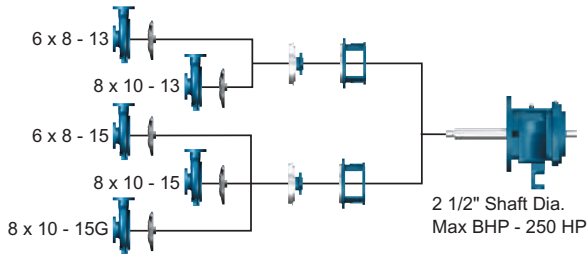
Note: Performance & Sizing curves are provided for reference only. For specific information, contact your distributor or the manufacturer.

Model 2196 Interchangeability and Dimensional Data

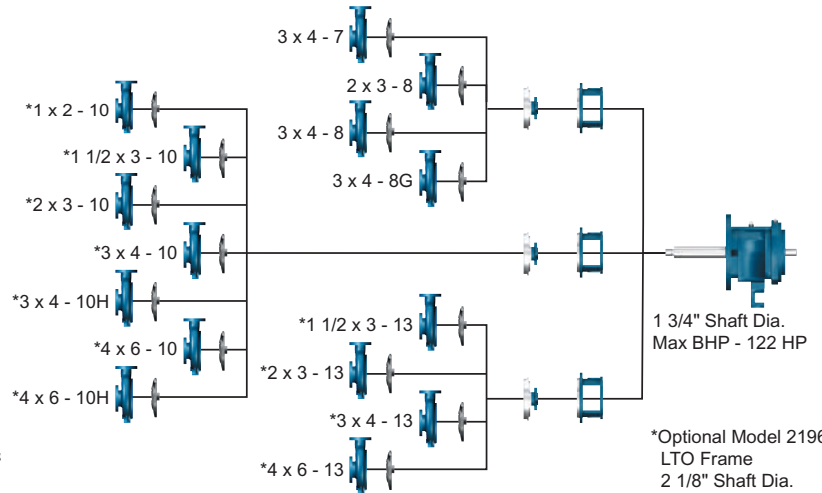
Model 2196 STO



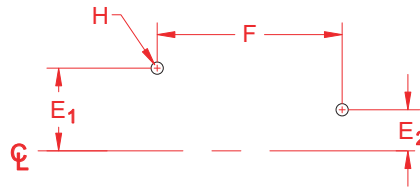
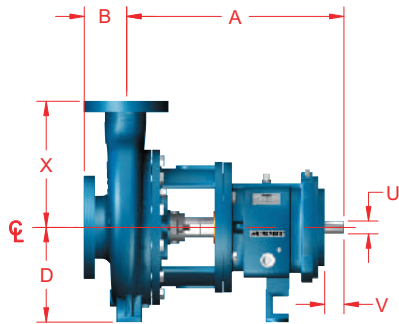
Model 2196 XLO



Model 2196 MTO



*Optional Model 2196 LTO Frame
2 1/8" Shaft Dia.
Max BHP - 200 HP



Pump Frame	ANSI	Size		Pump Dimensions													
		DIS	SUC	IMP	X	D	B	A	SP	Foot Pattern				Shaft			
		E1	E2	F						H	U	KEYWAY	V				
STO	AA	1	1.5	6	6 1/2	5 1/4	4	13 1/2	3 3/4	3	0	7 1/4	5/8	.875	3/16 X 3/32	2	
	AB	1.5	3	6													
		2	3	6													
		1	1.5	8													
MTO or LTO	A60	2	3	8	8 1/4	4	19 1/2	3 3/4	4 7/8	3 5/8	12 1/2	5/8	MTO 1.125	MTO 1/4X1/8	2 5/8		
	A70	3	4	8												11	
	A70	3	4	8G												11	
	A05	1	2	10												8 1/2	
	A50	1.5	3	10												8 1/2	
	A60	2	3	10												9 1/2	
	A70	3	4	10												11	
	A40	3	4	10H												12 1/2	
	A80	4	6	10												13 1/2	
	A80	4	6	10H												13 1/2	
LTO	A20	1.5	3	13	10	14 1/2	6	27 7/8	5 1/4	8	4 1/2	18 3/4	7/8	LTO 1.875	LTO 1/2X1/4	4	
	A30	2	3	13													11 1/2
	A40	3	4	13													12 1/2
	A80	4	6	13													13 1/2
XLO	A90	6	8	13	14 1/2	6	27 7/8	5 1/4	8	4 1/2	18 3/4	7/8	2.375	5/8 X 5/16	4		
	A100	8	10	13												18	
	A110	6	8	15												18	
	A120	8	10	15												19	
	A120	8	10	15G	19												