



SERIE C Mouvex Technology

Eccentric disc pump

Seal free design

- Seal free means leak free. Designed without mechanical seal, packing or magnets, the C series eliminates leakage and reduces maintenance time.

CIP & SIP abilities

- The stainless steel version is designed to be flushed and cleaned in place without disassembling.

Sanitary & Food applicable

- The stainless steel models are ideal for sanitary applications, carry 3A approval certification and are designed per EHEDG recommendations.



Chemical applicable

- The range of C pumps are in conformity with ATEX certification.



DISTRIBUTED BY

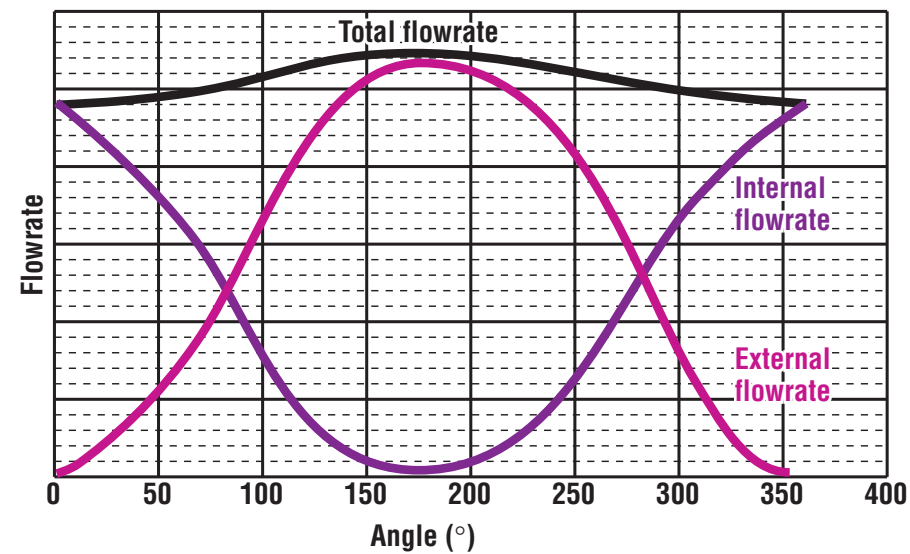
PUMPηSEAL
AUSTRALIA

P: +618 9302 8444
F: +618 9302 4544

W: www.pumpnseal.com
E: sales@pumpnseal.com

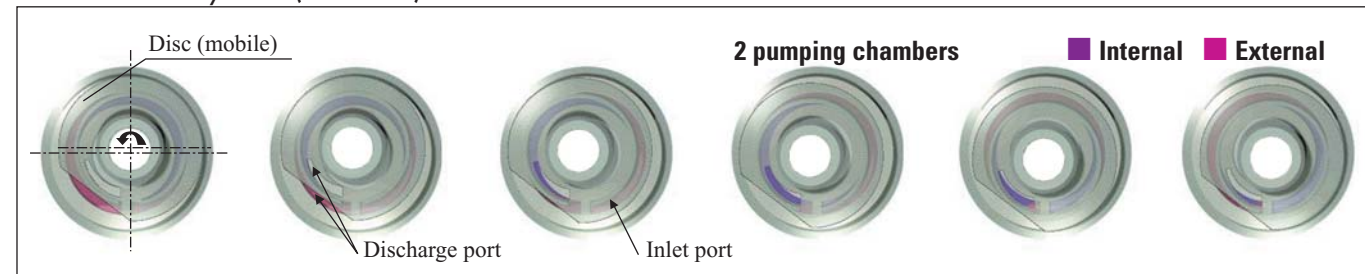
SERIE C - Mouvex Technology - Eccentric disc pump

◆ Low pulsation effect



● Mouvex Technology

Disc face to the cylinder (front view)



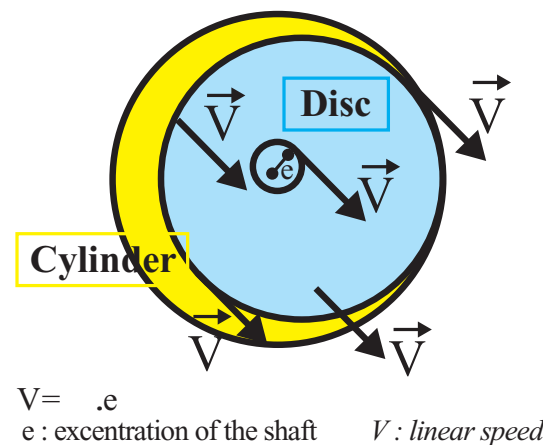
Disc face to the cylinder (cross section)



● Low shearing

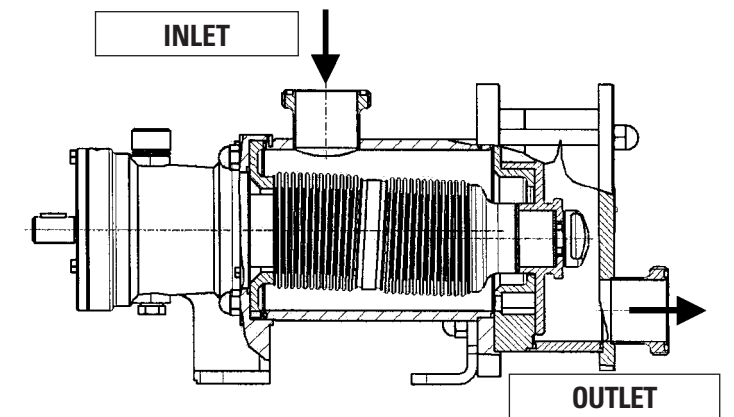
Displacement of the disc in the cylinder

- The disc has an eccentric motion (driven by an eccentric shaft).
- Each point of the disc has the same linear speed.
- We get a circular translation.
- The mouvex technology allows a flowrate with low linear speed.



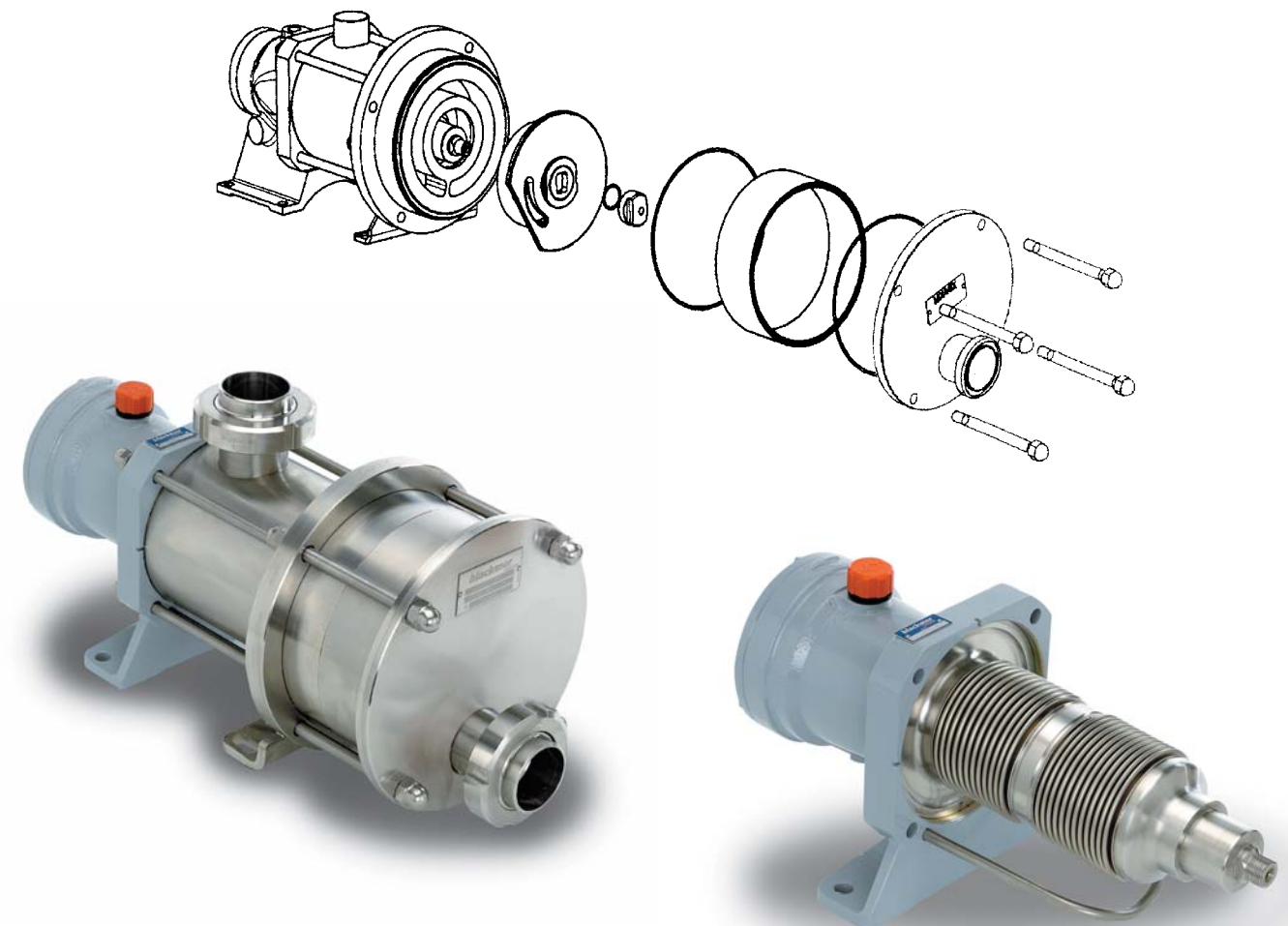
● Main advantages

- Self-priming with strong suction power
- Ability to clear the pipes
- Ability to run dry
- Low shear
- Maintenance of the delivery/pressure performance over time due to automatic disc/cylinder adjustment
- Outstanding volumetric efficiency
- Pumped product constantly renewed
- Ability to pump low and high viscosity products
- Output not affected by viscosity variation
- Low linear speed

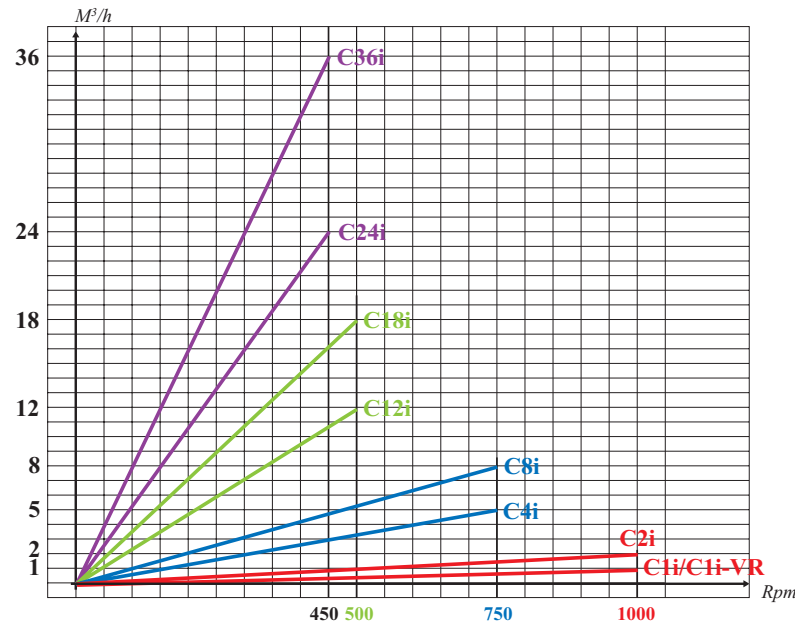


C SERIES (cross section)

● Pump without mechanical seal (seal free design)



SERIE C - Mouvex Technology - Eccentric disc pump



BELLOWS : 316 Ti Stainless steel
 DISC : "actéon" Stainless steel
 CYLINDER : 316 L Stainless steel
 BODYCASE : 316 L Stainless steel

SEAL : FDA Viton (L gasket)
 Viton O'Ring
 Encapsulated teflon
 Téflon (L gasket)

PORT : SMS, DIN, CLAMP, IDF...
 Flanges PN16, PN20

Stainless steel construction :

| C Series Pump | C1i (C1i-VR) | C2i (C2i-VR) | C4i | C8i | C12i | C18i | C24i | C36i | C4i-HT | C8i-HT | C12i-HT | C18i-HT |
|--------------------------------|---------------------------------|--------------|-------|-------|-------|-------|------|------|--------|--------|---------|---------|
| Displacements (liters) | 0,016 | 0,033 | 0,108 | 0,178 | 0,411 | 0,617 | 0,95 | 1,42 | 0,108 | 0,178 | 0,411 | 0,617 |
| Max. outputs (m³/h) | 1 | 2 | 5 | 8 | 12 | 18 | 24 | 36 | 5 | 8 | 12 | 18 |
| Max. T° (°C) continuous | 100 | 100 | 100 | 100 | 100 | 100 | 100 | 100 | 150 | 150 | 150 | 150 |
| Max. pressure (bar) | 9 | 9 | 9 | 5 | 9 | 6 | 9 | 6 | 9 | 6 | 9 | 6 |
| Max. speed (Rpm) | 1000 | 1000 | 750 | 750 | 500 | 500 | 450 | 450 | 750 | 750 | 500 | 500 |
| Particle passage* (mm³) | 2 | 2 | 5 | 5 | 15 | 15 | 20 | 20 | 5 | 5 | 15 | 15 |
| Opening size (Suct/Disch) (mm) | 40 | 40 | 50 | 50 | 60 | 60 | 70 | 70 | 50 | 50 | 60 | 60 |
| CIP/SIP (120° C) | YES (only with SS construction) | | | | | | | | | | | |

*no hard particles

Options



High temperature

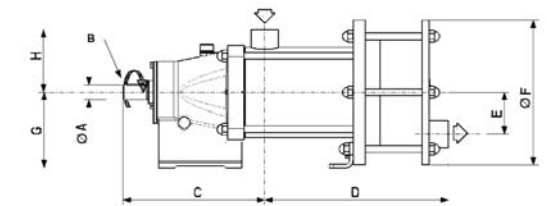
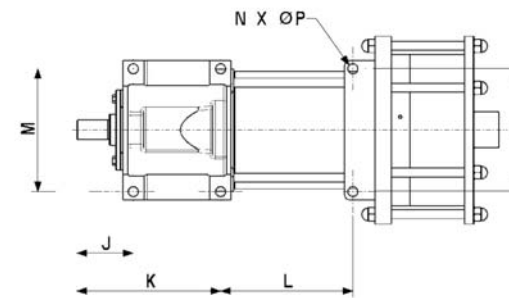


Heating jacket

Stainless steel construction :

| C Series Pump | C1i (C1i-VR) | C2i (C2i-VR) | C4i | C8i | C12i | C18i | C24i | C36i |
|---------------|--------------|--------------|-----|-----|-------|-------|-------|-------|
| A | 19 | 19 | 20 | 20 | 35 | 35 | 38 | 38 |
| B | 6 | 6 | 6 | 6 | 10 | 10 | 10 | 10 |
| C | 162 | 162 | 233 | 233 | 310,5 | 310,5 | 345,5 | 345,5 |
| D | 236 | 249,5 | 257 | 274 | 428 | 447,5 | 533,5 | 561,5 |
| E | 53 | 53 | 62 | 62 | 96,5 | 96,5 | 121 | 121 |
| F | 196 | 196 | 228 | 228 | 337 | 337 | 395 | 395 |
| G | 105 | 105 | 120 | 120 | 175 | 175 | 224 | 224 |
| H | 105,5 | 105,5 | 99 | 99 | 146,5 | 146,5 | 215 | 215 |
| J | | | | | 101 | 101 | 128,5 | 128,5 |
| K | 95,5 | 95,5 | 150 | 150 | 157 | 157 | 237,5 | 237,5 |
| L | 131,5 | 131,5 | 167 | 167 | 238 | 238 | 325,5 | 325,5 |
| M | 110 | 110 | 152 | 152 | 220 | 220 | 210 | 210 |
| N | 4 | 4 | 4 | 4 | 6 | 6 | 6 | 6 |
| P | 10 | 10 | 14 | 14 | 18 | 18 | 18 | 18 |
| Q | | | | | | | 280 | 280 |

| | | | | | | | | |
|-------------|---------|---------|----|----|-----|-----|-----|-----|
| Port (mm) | 40 | 40 | 50 | 50 | 65 | 65 | 80 | 80 |
| Weight (kg) | 21 (24) | 22 (25) | 38 | 41 | 115 | 120 | 185 | 200 |



Mobile unit



Shroud

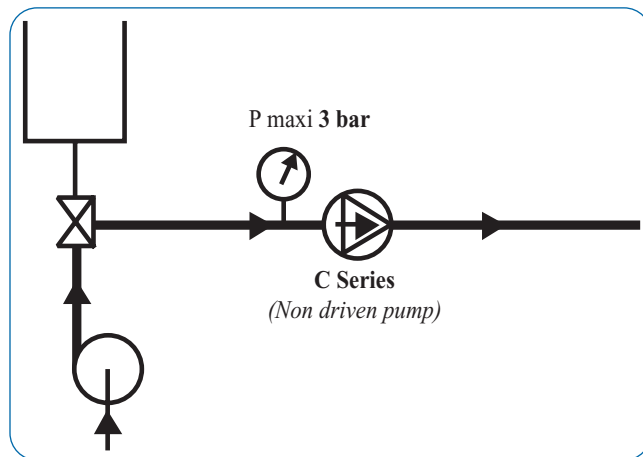
SERIE C - Mouvex Technology - Eccentric disc pump

◆ Stainless steel construction

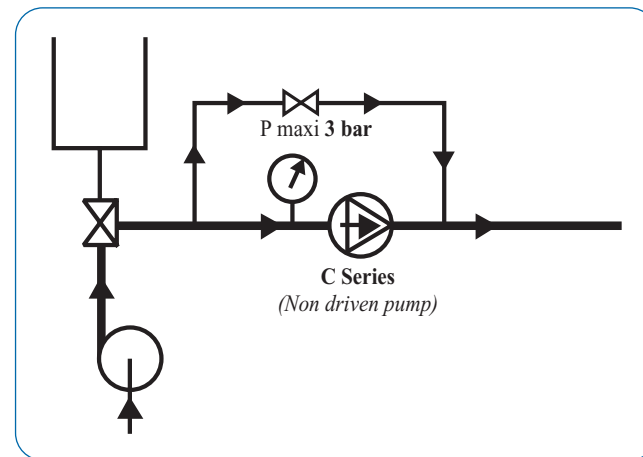
Cleaning recommendations

| | C1/C2 | C4/C8 | C12/C18 | C24/C36 |
|---|-------|-------|---------|---------|
| CIP outputs required (m³/h) (maximum value) | 10 | 10 | 30/35 | 40/45 |
| Do we have to set up a bypass | | | | |
| CIP outputs (m³/h) | 15 | YES | NO | NO |
| | 20 | YES | NO | NO |
| | 25 | YES | YES | NO |
| | 30 | YES | YES | NO |
| | 35 | YES | YES | NO |
| 40 | YES | YES | NO | NO |

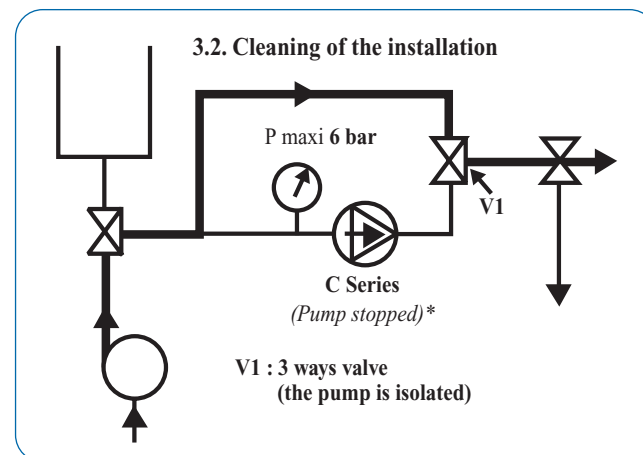
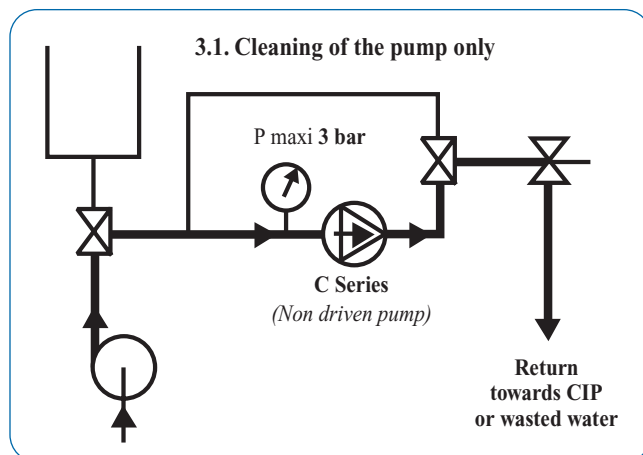
Setting without Bypass



Setting with Bypass



Cleaning in 2 steps (pump & installation)



Non driven pump = Pump no driven by the motor but could be driven by the CIP flush.
Pump stopped = Pump strictly stopped.

● Illustrations

Applications : varnish, painting, resin, glue, isocyanate, oil, solvent...



C12i in painting industry

Applications : isocyanate, polyol...



C18a in chemical industry

Applications : ointment, sirup, cream, suppository, shampoo...



C18i in cosmetic/pharmaceutical industry

Applications : flavour, sauce, chocolate, glucose...



C1i-VR in food industry

Applications : yeast, concentrate, glucose, flavour, alcohol...



C4i in beverage industry

Applications : yogurt, ferment, dessert, yolk...



C2i in dairy industry

SERIE C - Mouvex Technology - Eccentric disc pump

◆ Ductile Iron

(Pump equipped with heating base and relief valve)



| C Series Pump | C4a | C8a | C12a | C18a | C4a-HT | C8a-HT |
|---------------------------------------|-------|-------|-------|-------|--------|--------|
| Displacement (liters) | 0,108 | 0,178 | 0,411 | 0,617 | 0,108 | 0,178 |
| Max. flowrate (m ³ /h) | 5 | 8 | 12 | 18 | 5 | 8 |
| Max. T° (°C) | 100 | 100 | 100 | 100 | 150 | 150 |
| Max. pressure (bar) | 9 | 5 | 9 | 6 | 9 | 6 |
| Max. speed (Rpm) | 750 | 750 | 500 | 500 | 750 | 750 |
| Particles passage* (mm ³) | 5 | 5 | 15 | 15 | 5 | 5 |
| Opening size (suct/dis) (mm) | 50 | 50 | 60 | 60 | 50 | 50 |

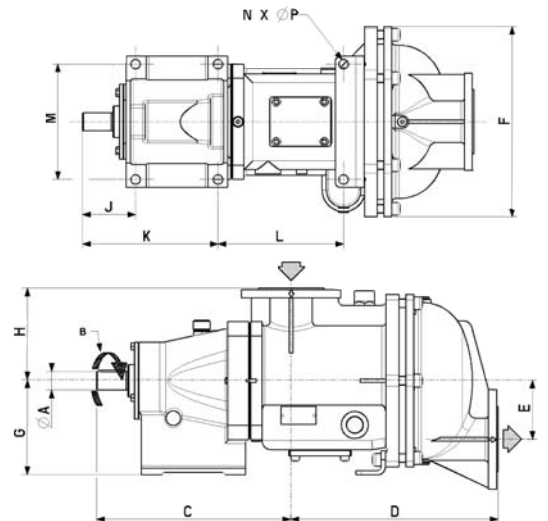
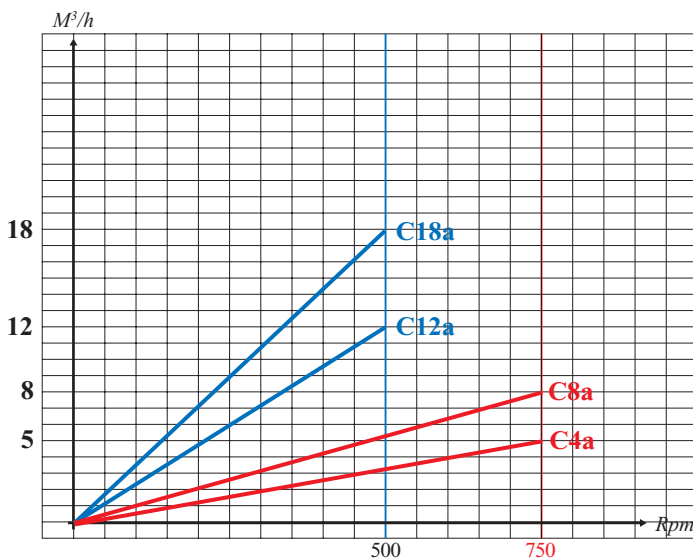
*Pump equipped with flanges (PN16/20)

| C Series Pump | A | B | C | D | E | F | G | H | J | K | L | M | N | P |
|---------------|----|----|-------|-----|-----|-----|-----|-----|-----|-----|-----|-----|---|---|
| C4a | 20 | 6 | 233 | 242 | 67 | 254 | 120 | 127 | | 150 | 172 | 152 | 4 | 4 |
| C8a | 20 | 6 | 233 | 259 | 67 | 254 | 120 | 127 | | 150 | 172 | 152 | 4 | 4 |
| C12a | 35 | 10 | 310,5 | 384 | 109 | 363 | 175 | 12 | 101 | 157 | 239 | 220 | 6 | 6 |
| C18a | 35 | 10 | 310,5 | 384 | 109 | 363 | 175 | 172 | 101 | 157 | 239 | 220 | 6 | 6 |

| C Series Pump | C4a | C8a | C12a | C18a |
|---------------|-----|-----|------|------|
| Port (mm) | 50 | 50 | 65 | 65 |
| Weight (kg) | 43 | 46 | 115 | 120 |

BELOWS : 316 Ti
 DISC : GS ductile iron
 CYLINDER : GS ductile iron
 BODYCASE : GS ductile iron

RINGS : Viton O'Ring
 Encapsulated teflon
 FLANGES : PN16, PN20



ZI la Plaine des Isles
 rue des Caillottes
 89000 AUXERRE - FRANCE
 T + 33.3.86.49.86.30
 F + 33.3.86.46.42.10
 contact@mouvex.com



Mouvex reserves the right to modify the information and illustrations contained in this document without prior notice. This is a non-contractual document. 01/09
 Printed in FRANCE by Filigrane
 © 2009 Mouvex